

CATALOG #	LAMP	BASE	THD	MIN START	DIMENSIONS	BALLAST	MAX. DISTANCE FROM
LAMP CODE	DESCRIPTION			TEMP			
CFQ26	(1)26W QUAD	GX24Q-3	<10%	0°F (-18°C)	6.75	Electronic	12' #18 Wire
CFM132	(1)32W HEX	GX24Q-3	<10%	0°F (-18°C)	6.75	Electronic	12' #18 Wire
CFM232	(2)32W HEX	GX24Q-3	<10%	0°F (-18°C)	6.75	Electronic	12' #18 Wire
CFM142	(1)42W HEX	GX24Q-4	<10%	0°F (-18°C)	6.75	Electronic	12' #18 Wire
CFM242	(2)42W HEX	GX24Q-4	<10%	0°F (-18°C)	6.75	Electronic	12' #18 Wire
CFM157	(1)57W HEX	GX24Q-5	<10%	0°F (-18°C)	6.75	Electronic	12' #18 Wire
CFM257*	(2)57W HEX	GX24Q-5	<10%	0°F (-18°C)	11.5	Electronic	12' #18 Wire
CFM170	(1)70W QUAD BX	GX24Q-6	<10%	0°F (-18°C)	6.75	Electronic	12' #18 Wire
CFM270*	(2)57W HEX	GX24Q-6	<10%	0°F (-18°C)	11.5	Electronic	12' #18 Wire
FT139	(1)39W TWIN	2G11	<10%	50°F (10°C)	11.5	Electronic	12' #18 Wire
FT239	(2)39W TWIN	2G11	<10%	50°F (10°C)	11.5	Electronic	12' #18 Wire
FT140	(1)40W TWIN	2G11	<10%	50°F (10°C)	11.5	Electronic	12' #18 Wire
FT240	(2)40W TWIN	2G11	<10%	50°F (10°C)	11.5	Electronic	12' #18 Wire
FT150	(1)50W TWIN	2G11	<10%	0°F (-18°C)	19	Electronic	18' #18 Wire
FT250	(2)50W TWIN	2G11	<10%	0°F (-18°C)	19	Electronic	18' #18 Wire
FT155	(1)55W TWIN	2G11	<10%	0°F (-18°C)	19	Electronic	18' #18 Wire
FT255	(2)55W TWIN	2G11	<10%	0°F (-18°C)	19	Electronic	18' #18 Wire
1__T8	(1)17 - 40W T8	MED. BI PIN	<10%	0°F (-18°C)	19	Electronic	18' #18 Wire
2__T8	(2)21 - 32W T8	MED. BI PIN	<10%	0°F (-18°C)	19	Electronic	18' #18 Wire
1__T5	(1)14 - 35W T5	MINI BI PIN	<10%	0°F (-18°C)	19	Electronic	18' #18 Wire
2__T5	(2)14 - 35W T5	MINI BI PIN	<10%	0°F (-18°C)	19	Electronic	18' #18 Wire
3__T5*	(3)14 - 35W T5	MINI BI PIN	<10%	0°F (-18°C)	19	Electronic	18' #18 Wire
4__T5*	(4)21 - 28W T5	MINI BI PIN	<10%	0°F (-18°C)	19	Electronic	18' #18 Wire
1__T5HO	(1)24 - 80W T5	MINI BI PIN	<10%	0°F (-18°C)	19	Electronic	18' #18 Wire
2__T5HO	(2)24 - 80W T5	MINI BI PIN	<10%	0°F (-18°C)	19	Electronic	18' #18 Wire
3__T5HO*	(3)24 - 80W T5	MINI BI PIN	<10%	0°F (-18°C)	19	Electronic	18' #18 Wire
4__T5HO*	(4)39 - 54W T5	MINI BI PIN	<10%	0°F (-18°C)	19	Electronic	18' #18 Wire

* REQUIRES TWO BALLASTS

NOTES:

1. When installing more than one ballast in a common area maintain a minimum 12" spacing between ballast enclosures.
2. Provide ventilation in the area where ballasts are installed.
3. Use 90 deg. C rated wire for supply connections.
4. A separate conduit must be used between each fixture & remote ballast.
5. Knock-out locations may vary from those shown above.

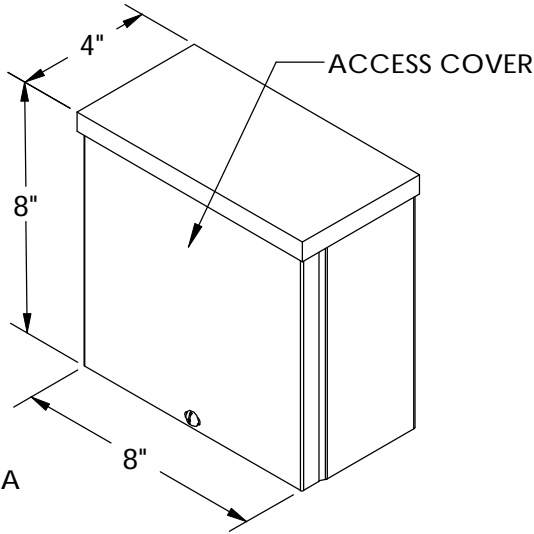


FIGURE A

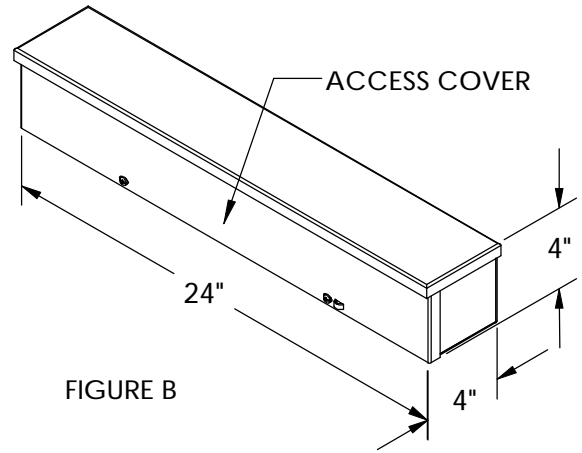


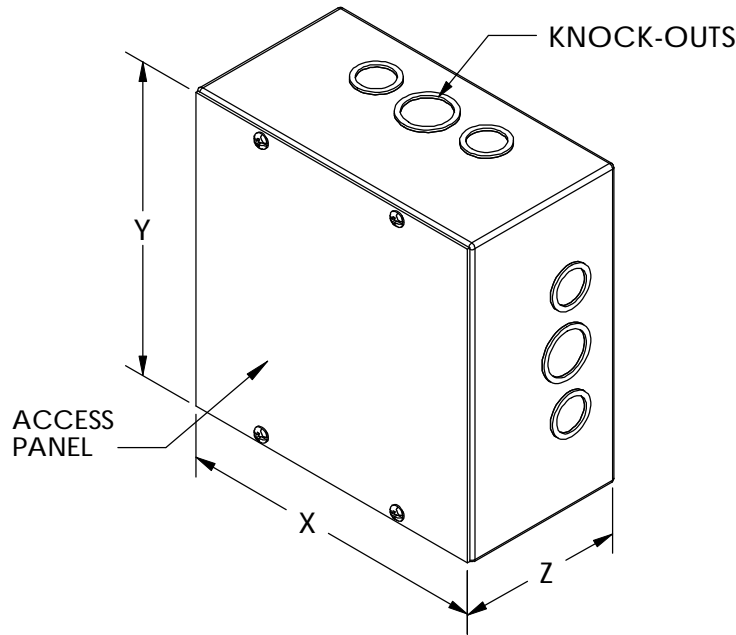
FIGURE B

CATALOG #	LAMP	BASE	THD	MIN START	FIGURE	BALLAST	MAX. DISTANCE FROM
LAMP CODE	DESCRIPTION			TEMP			LAMP TO BALLAST
CFQ26	(1)26W QUAD	GX24Q-3	<10%	0°F (-18°C)	A	Electronic	12' #18 Wire
CFM132	(1)32W HEX	GX24Q-3	<10%	0°F (-18°C)	A	Electronic	12' #18 Wire
CFM232	(2)32W HEX	GX24Q-3	<10%	0°F (-18°C)	A	Electronic	12' #18 Wire
CFM142	(1)42W HEX	GX24Q-4	<10%	0°F (-18°C)	A	Electronic	12' #18 Wire
CFM242	(2)42W HEX	GX24Q-4	<10%	0°F (-18°C)	A	Electronic	12' #18 Wire
CFM157	(1)57W HEX	GX24Q-5	<10%	0°F (-18°C)	A	Electronic	12' #18 Wire
CFM257*	(2)57W HEX	GX24Q-5	<10%	0°F (-18°C)	A	Electronic	12' #18 Wire
CFM170	(1)70W QUAD BX	GX24Q-6	<10%	0°F (-18°C)	A	Electronic	12' #18 Wire
CFM270*	(2)70W QUAD BX	GX24Q-6	<10%	0°F (-18°C)	A	Electronic	12' #18 Wire
FT139	(1)39W TWIN	2G11	<10%	50°F (10°C)	B	Electronic	12' #18 Wire
FT239	(2)39W TWIN	2G11	<10%	50°F (10°C)	B	Electronic	12' #18 Wire
FT140	(1)40W TWIN	2G11	<10%	50°F (10°C)	B	Electronic	12' #18 Wire
FT240	(2)40W TWIN	2G11	<10%	50°F (10°C)	B	Electronic	12' #18 Wire
FT150	(1)50W TWIN	2G11	<10%	0°F (-18°C)	B	Electronic	18' #18 Wire
FT250	(2)50W TWIN	2G11	<10%	0°F (-18°C)	B	Electronic	18' #18 Wire
FT155	(1)55W TWIN	2G11	<10%	0°F (-18°C)	B	Electronic	18' #18 Wire
FT255	(2)55W TWIN	2G11	<10%	0°F (-18°C)	B	Electronic	18' #18 Wire
1__T8	(1)17 - 40W T8	MED. BI PIN	<10%	0°F (-18°C)	B	Electronic	18' #18 Wire
2__T8	(2)21 - 32W T8	MED. BI PIN	<10%	0°F (-18°C)	B	Electronic	18' #18 Wire
1__T5	(1)14 - 35W T5	MINI BI PIN	<10%	0°F (-18°C)	B	Electronic	18' #18 Wire
2__T5	(2)14 - 35W T5	MINI BI PIN	<10%	0°F (-18°C)	B	Electronic	18' #18 Wire
3__T5*	(3)14 - 35W T5	MINI BI PIN	<10%	0°F (-18°C)	B	Electronic	18' #18 Wire
4__T5*	(4)21 - 28W T5	MINI BI PIN	<10%	0°F (-18°C)	B	Electronic	18' #18 Wire
1__T5HO	(1)24 - 80W T5	MINI BI PIN	<10%	0°F (-18°C)	B	Electronic	18' #18 Wire
2__T5HO	(2)24 - 80W T5	MINI BI PIN	<10%	0°F (-18°C)	B	Electronic	18' #18 Wire
3__T5HO*	(3)24 - 80W T5	MINI BI PIN	<10%	0°F (-18°C)	B	Electronic	18' #18 Wire
4__T5HO*	(4)39 - 54W T5	MINI BI PIN	<10%	0°F (-18°C)	B	Electronic	18' #18 Wire

* REQUIRES TWO BALLASTS

NOTES:

1. When installing more than one ballast in a common area maintain a minimum 12" spacing between ballast enclosures.
2. Provide ventilation in the area where ballasts are installed.
3. Use 90 deg. C rated wire for supply connections.
4. A separate conduit must be used between each fixture & remote ballast.
5. Knock-out locations may vary from those shown above.



CATALOG # LAMP CODE	LAMP DESCRIPTION	ANSI CODE	DIMENSIONS			BALLAST TYPE	MAX. DISTANCE FROM LAMP TO BALLAST	WITH LRI OPTION
			X	Y	Z			
MH20 Mini	(1)20W T4 or T4.5	M156	8	8	4	Electronic	25' #16 Wire***	
MH39 Mini	(1)39W T4 or T4.5	M130	8	8	4	Electronic	25' #16 Wire***	
MH39 Small	(1)39W T6	M130	8	8	4	Electronic	25' #16 Wire***	
MH70 Mini	(1)70W T4 or T4.5	M139	8	8	4	Electronic	25' #16 Wire***	
MH70 Small	(1)70W T6	M139	8	8	4	Electronic	25' #16 Wire***	
MH109	(1)39W T6 / (1)70W T6	M130 / M139	12	12	6	Electronic	25' #16 Wire***	
MH140	(2)70W T6	M139	12	12	6	Electronic	25' #16 Wire***	
MH150	(1)150W T6	M102 or 142	8	8	4	Electronic	25' #16 Wire***	
MH189	(1)39W T6 / (1)150W T6	M130 / M102 or 142	12	12	6	Electronic	25' #16 Wire***	
MH220	(1)70W T6 / (1)150W T6	M139 / M102 or 142	12	12	6	Electronic	25' #16 Wire***	
MH300	(2)150W T6	M102 or 142	12	12	6	Electronic	25' #16 Wire***	
MP200	(1)200W T15 PS	M136	8	10	6	Magnetic Super CWA	2' #12 Wire	50'
MP250 Large	(1)250W T15 PS	M138	8	10	6	Magnetic CWA	10' #12 Wire	50'
MH250	(1)250W T15 CMH	S50	8	10	6	Magnetic CWA	10' #12 Wire	25'
MP320*	(1)320W T15 PS	M132	8	10	6	Magnetic CWA	10' #12 Wire	50'
MP350*	(1)350W T15 PS	M131	8	10	6	Magnetic CWA	10' #12 Wire	50'
MH400	(1)400W ED18 CMH	S51	8	10	6	Magnetic CWA	10' #12 Wire	25'
MP640**	(2)320W T15 PS	M132	8	10	6	Magnetic CWA	10' #12 Wire	50'
MH800**	(2)400W ED18 CMH	S51	8	10	6	Magnetic CWA	10' #12 Wire	50'
MP250 XLarge	(1)250W T15 PS	M138	8	10	6	Magnetic CWA	10' #12 Wire	50'
MP400	(1)400W ED28 PS	M135	8	10	6	Magnetic CWA	10' #12 Wire	50'
MP750	(1)750W BT37 PS	M149	12	12	6	Magnetic CWA	10' #12 Wire	50'
MP800**	(2)400W ED28 PS	M135	8	10	6	Magnetic CWA	10' #12 Wire	50'
MP1000	(1)1000W BT37 or T25 PS	M141	12	12	6	Magnetic CWA	20' #12 Wire	50'

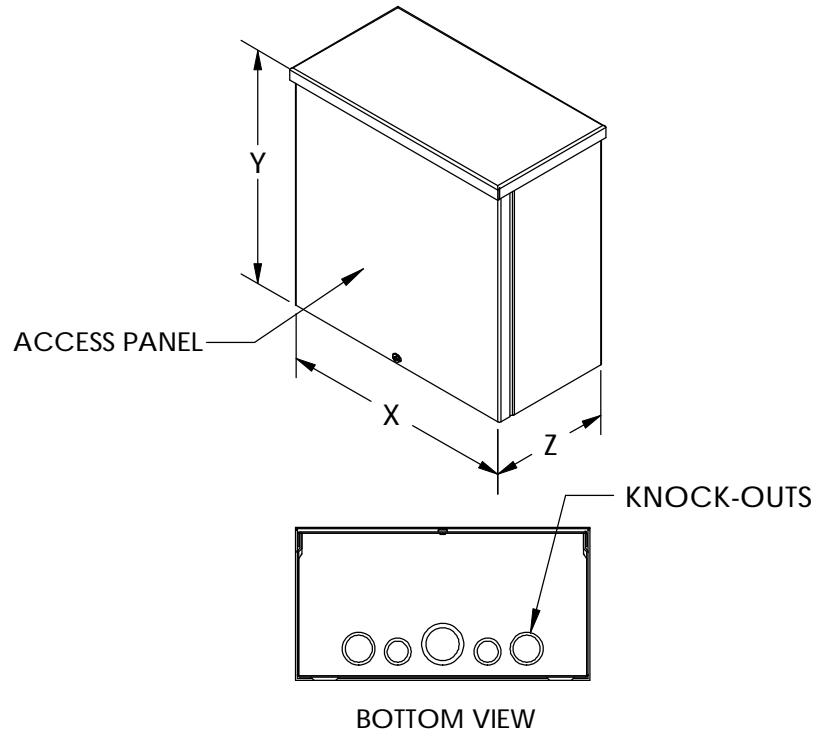
* Advance Electronic Ballast available. Contact factory for details.

** MP640, MH800, MP800 lamping requires 2 ballasts per fixture.

*** Wire must be UL3321/XF, UL3321/XFF or UL 3071/SEW-2. Contact factory for longer remote distances up to 50'.

NOTES:

1. When installing more than one ballast in a common area maintain a minimum 12" spacing between ballast enclosures.
2. Provide ventilation in the area where ballasts are installed.
3. Use 90 deg. C rated wire for supply connections.
4. A separate 1/2" metal conduit must be used between each fixture & remote ballast.
5. Knock-out locations may vary from those shown above.



CATALOG # LAMP CODE	LAMP DESCRIPTION	ANSI CODE	DIMENSIONS			BALLAST TYPE	MAXIMUM DISTANCE FROM LAMP TO BALLAST	WITH LRI OPTION
			X	Y	Z			
MH20 Mini	(1)20W T4 or T4.5	M156	8	8	4	Electronic	25' #16 Wire***	
MH39 Mini	(1)39W T4 or T4.5	M130	8	8	4	Electronic	25' #16 Wire***	
MH39 Small	(1)39W T6	M130	8	8	4	Electronic	25' #16 Wire***	
MH70 Mini	(1)70W T4 or T4.5	M139	8	8	4	Electronic	25' #16 Wire***	
MH70 Small	(1)70W T6	M139	8	8	4	Electronic	25' #16 Wire***	
MH109	(1)39W T6 / (1)70W T6	M130 / M139	12	12	6	Electronic	25' #16 Wire***	
MH140	(2)70W T6	M139	12	12	6	Electronic	25' #16 Wire***	
MH150	(1)150W T6	M102 or 142	8	8	4	Electronic	25' #16 Wire***	
MH189	(1)39W T6 / (1)150W T6	M130 / M102 or 142	12	12	6	Electronic	25' #16 Wire***	
MH220	(1)70W T6 / (1)150W T6	M139 / M102 or 142	12	12	6	Electronic	25' #16 Wire***	
MH300	(2)150W T6	M102 or 142	12	12	6	Electronic	25' #16 Wire***	
MP200	(1)200W T15 PS	M136	12	12	6	Magnetic Super CWA	2' #12 Wire	50'
M250 Large	(1)250W T15 PS	M138	12	12	6	Magnetic CWA	10' #12 Wire	50'
MH250	(1)250 T15 CMH	S50	12	12	6	Magnetic CWA	10' #12 Wire	25'
MP320*	(1)320W T15 PS	M132	12	12	6	Magnetic CWA	10' #12 Wire	50'
MP350*	(1)350W T15 PS	M131	12	12	6	Magnetic CWA	10' #12 Wire	50'
MH400	(1)400W ED18 CMH	S51	12	12	6	Magnetic CWA	10' #12 Wire	25'
MP640**	(2)320W T15 PS	M132	12	12	6	Magnetic CWA	10' #12 Wire	50'
M800**	(2)400W ED18 CMH	S51	12	12	6	Magnetic CWA	10' #12 Wire	50'
MP250 Xlarge	(1)250W T15 PS	M138	12	12	6	Magnetic CWA	10' #12 Wire	50'
MP400	(1)400W ED28 PS	M135	12	12	6	Magnetic CWA	10' #12 Wire	50'
MP750	(1)750W BT37 PS	M149	12	12	6	Magnetic CWA	10' #12 Wire	50'
MP800**	(2)400W ED28 PS	M135	12	12	6	Magnetic CWA	10' #12 Wire	50'
MP1000	(1)1000W BT37 or T25 PS	M141	12	12	6	Magnetic CWA	20' #12 Wire	50'

* Advance Electronic Ballast available. Contact factory for details.

** MP640, MH800, MP800 lamping requires 2 ballasts per fixture.

*** Wire must be UL3321/XF, UL3321/XFF or UL3071/SEW-2. Contact factory for longer remote distances up to 50'.

NOTES:

1. When installing more than one ballast in a common area maintain a minimum 12" spacing between ballast enclosures.
2. Provide ventilation in the area where ballasts are installed.
3. Use 90 deg. C rated wire for supply connections.
4. A separate 1/2" metal conduit must be used between each fixture & remote ballast.
5. Mount ballast enclosure as shown above with flanged cover on top.