

**V-Line Gen2** is a high performance linear LED luminaire with robust construction suitable for the illumination and grazing of walls, ceilings, and other planes.

**Construction:** Extruded aluminum body with molded endcaps. Extruded acrylic optic is UV resistant.

**Finish:** Black anodized only. This product is not available in a painted finish. Painting this product will void all warranties.

**Internal Drivers:** Built-In SmartDrivers by i2Systems ensure constant current to each LED enabling uniform brightness from LED to LED and fixture to fixture over a wide input voltage range.

**Dimming:** True 0-100% dimming is available with exclusive LightLink dimming system interface which is compatible with both 0V-10V sink and source-type dimmers.

**Available Mounts:** Both fixed and adjustable mounts are available. Mounts have been engineered to provide precise aiming and installation flexibility.

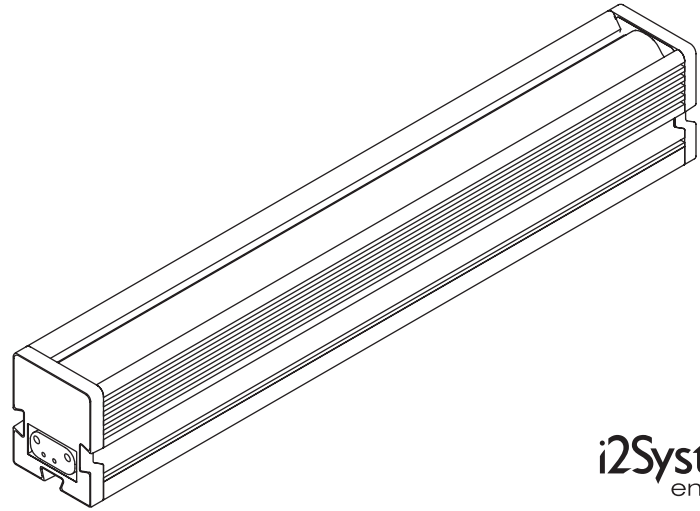
**Power Requirements:** V-Line Gen2 is powered by commonly available 24VAC transformer sized according to the installation. Power consumption is approximately 14W per linear foot.

**Wiring:** V-Line Gen2 plugs together enabling 28 foot long runs from a single connection point. Power entry is on the end and is fed from a proprietary molded connector with 72 inch long lead.

**Dry, Damp, and Wet Locations**

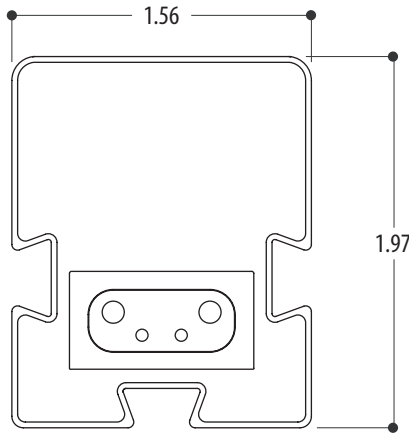
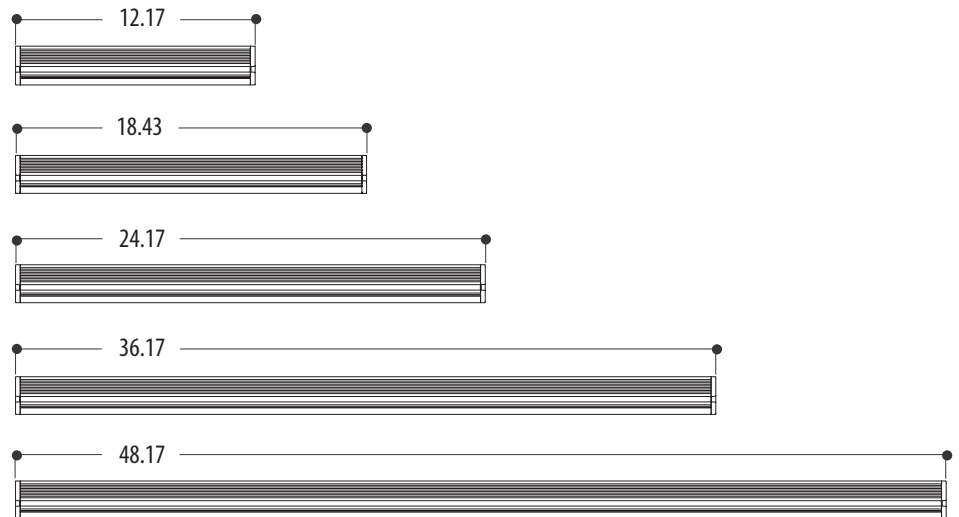
Project Name:

Qty:

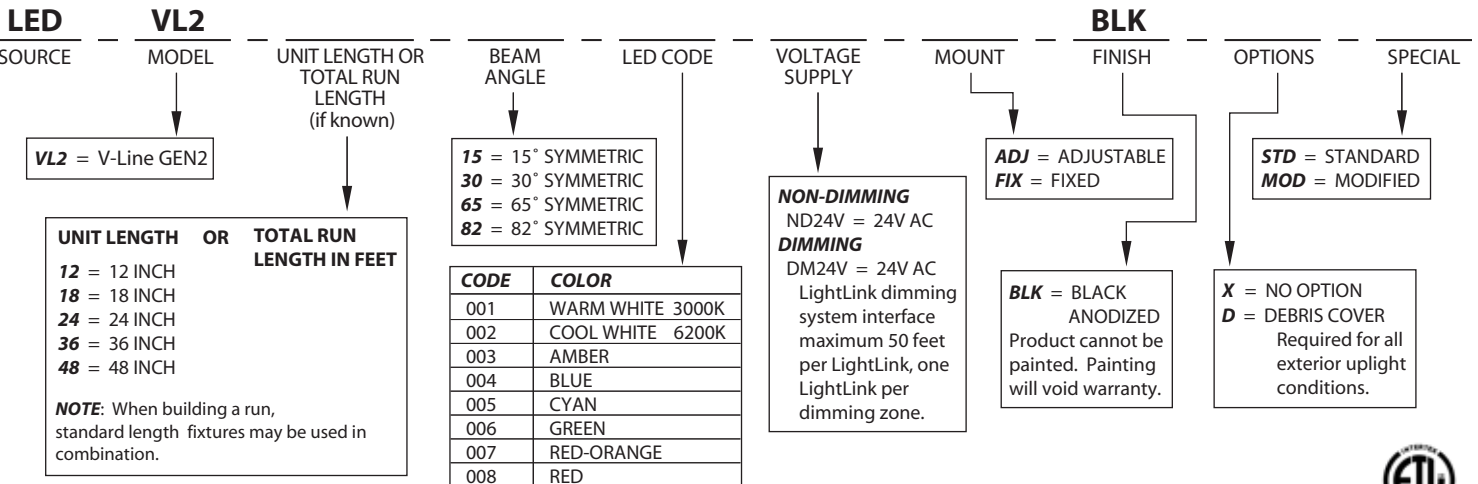


i2Systems  
enabled.

Available Lengths: ( 12", 18", 24", 36", 48" )



(Shown full size)



Modifications: (if any) \_\_\_\_\_

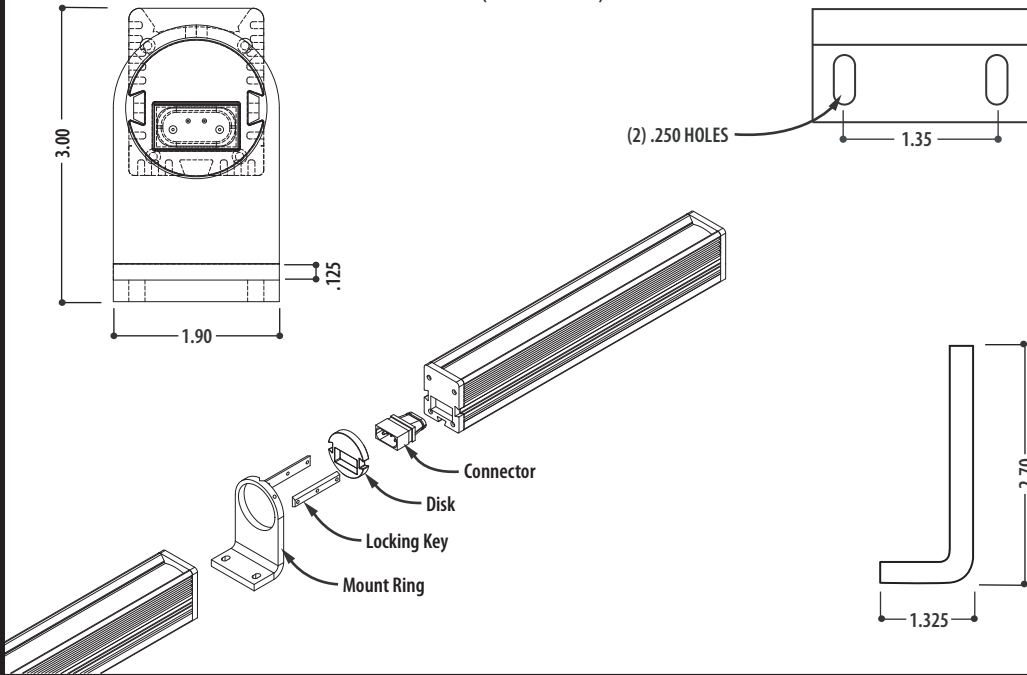


Revision 2/4/10

V-Line GEN2 is offered with either fixed or adjustable mounts. Both mounts have been engineered for maximum installation flexibility.

## GEN2 ADJUSTABLE MOUNT

(NOT TO SCALE)



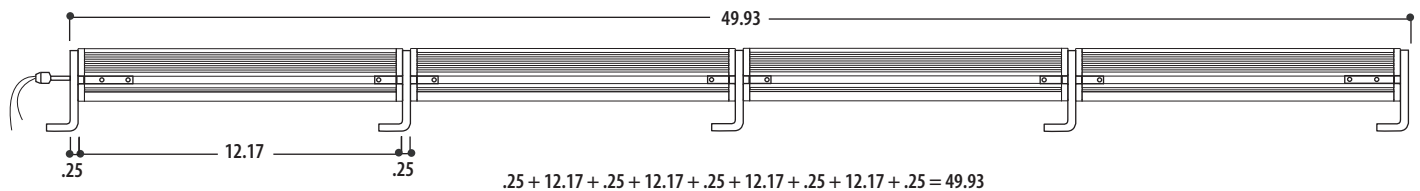
The adjustable mount is the standard mounting method for GEN2. This unique disk and ring assembly provides the following benefits:

1. 360 degrees rotation enables the luminaire to be mounted in any orientation. The luminaire rotates about its axis which simplifies planning for adjustment in tight mounting conditions.
2. Indicator lines in the disk combined with two locking set screws in the ring allow repeatable precise aiming.
3. Locking keys on either side of the luminaire create a rigid continuous row which can be aimed from one location.
4. Versatile modular design allows for easy customization of the mounting ring or mounting foot for special applications.
5. Thin profile of the mounting ring permits luminaire spacing of .25" eliminating shadows between individual lengths.

The mounting ring, mounting foot, and locking keys are manufactured from aluminum and finished in matte black Winona Lighting's wet paint system. The mounting disk is with injection molded resin.

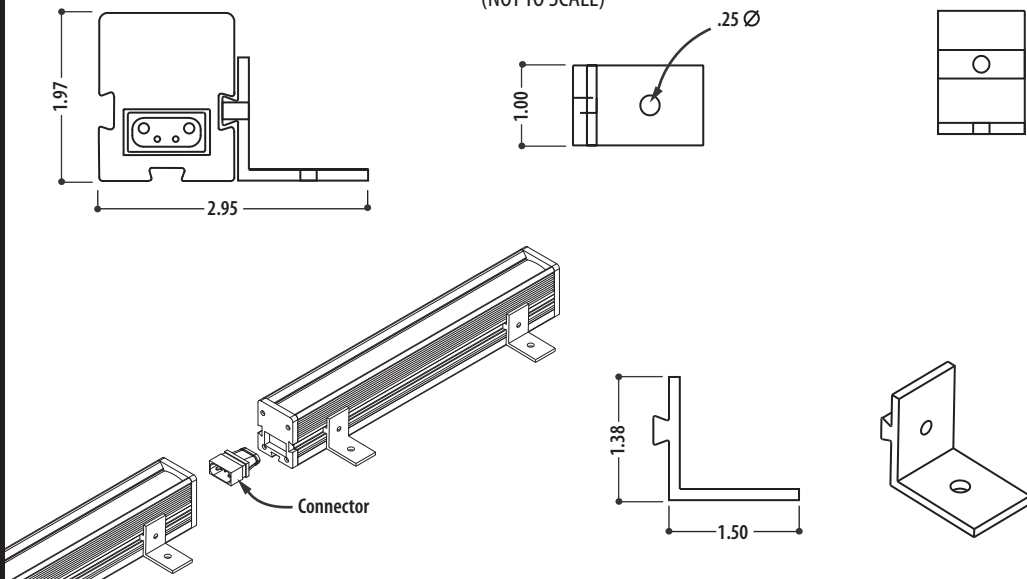
### How to determine headline: "Run Lengths"

1. Add length of all luminaires.
2. Add an equal number of mounting rings at .25" each.
3. Add an additional .25" mounting ring to get final overall run length.
4. Allow 3" for power connector entry.



## GEN2 FIXED MOUNT

(NOT TO SCALE)



The fixed mount is a quick and easy method of mounting GEN2 to any surface when field adjustment is not required. Features include:

1. Solid aluminum construction slides into dovetails in GEN2 housing.
2. Mount can be positioned anywhere along the length of fixture enabling attachment to structural elements as required.
3. Mount can be positioned on any of the three dovetails in two positions for ultimate installation and flexibility.
4. Stainless steel 10.24 set screws lock luminaire to mount.

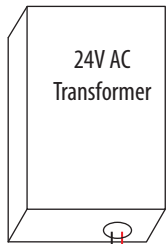
The fixed mount is finished in matte black paint.

V-line gen2 is optimized for an 24V AC power source only. Do not connect directly to line voltage under any circumstance.

**Connection to line voltage will permanently damage internal components and void manufacturer's warranty.**

V-line Gen2 consumes 14W/ft. To determine power requirement, multiply total length of run(s) by 14W. Choose a transformer with adequate capacity. Total load should not exceed 80% of transformer's rated output at 24V.

## NON-DIMMING INSTALLATIONS



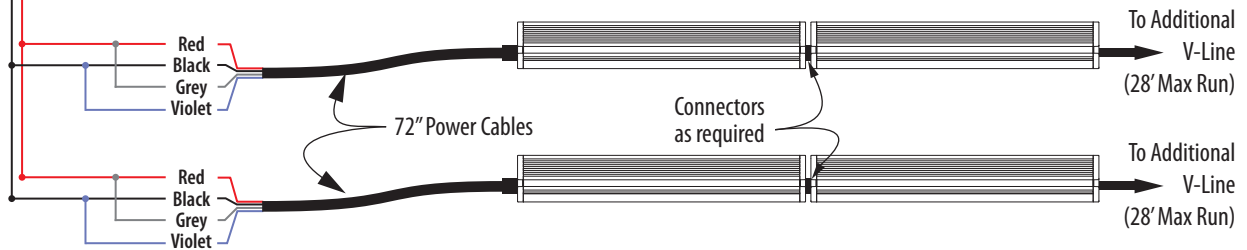
Connect Gen2 **RED** wire to transformer 24V secondary.

Connect Gen2 **BLACK** wire to transformer common secondary.

On non-dimming installations the dimming signal wires must be connected to 24V in order to run the fixture at 100% intensity.

Connect the **VIOLET** wire to the **RED** wire. Connect the **GREY** wire to the black wire.

Additional runs can be connected to the transformer provided total wattage of all runs does not exceed transformer wattage rating.



## DIMMING INSTALLATIONS

All dimming installations require the use of the LightLink dimming module which is spliced inline with the control signal output from a dimming control system. The LightLink module will accept any 0-10V dimming signal input (source or sink) from any dimming control system as well as PWM input and analog input from room sensors or other devices. Refer to LightLink documentation for detailed installation and operating instructions.

Mount the LightLink module close to and feed it power from the same 24V AC transformer used for the Gen2 fixtures. On installations requiring more than one transformer, a LightLink module must be used for each supply. Multiple LightLink modules may be connected to the same transformer. Use minimum of 12-gauge wire for remote transformer installations.

Connect Gen2 **RED** wire to 24V AC transformer secondary.

Connect Gen2 **BLACK** wire to transformer common secondary.

Connect Gen2 **VIOLET** wire to LightLink Output marked "**DIM**".

Connect Gen2 **GREY** wire to LightLink Output marked "**COMMON**".

Connect 1 to 10V dimmer **VIOLET** wire to LightLink Control Input marked "**+10V SOURCE**".

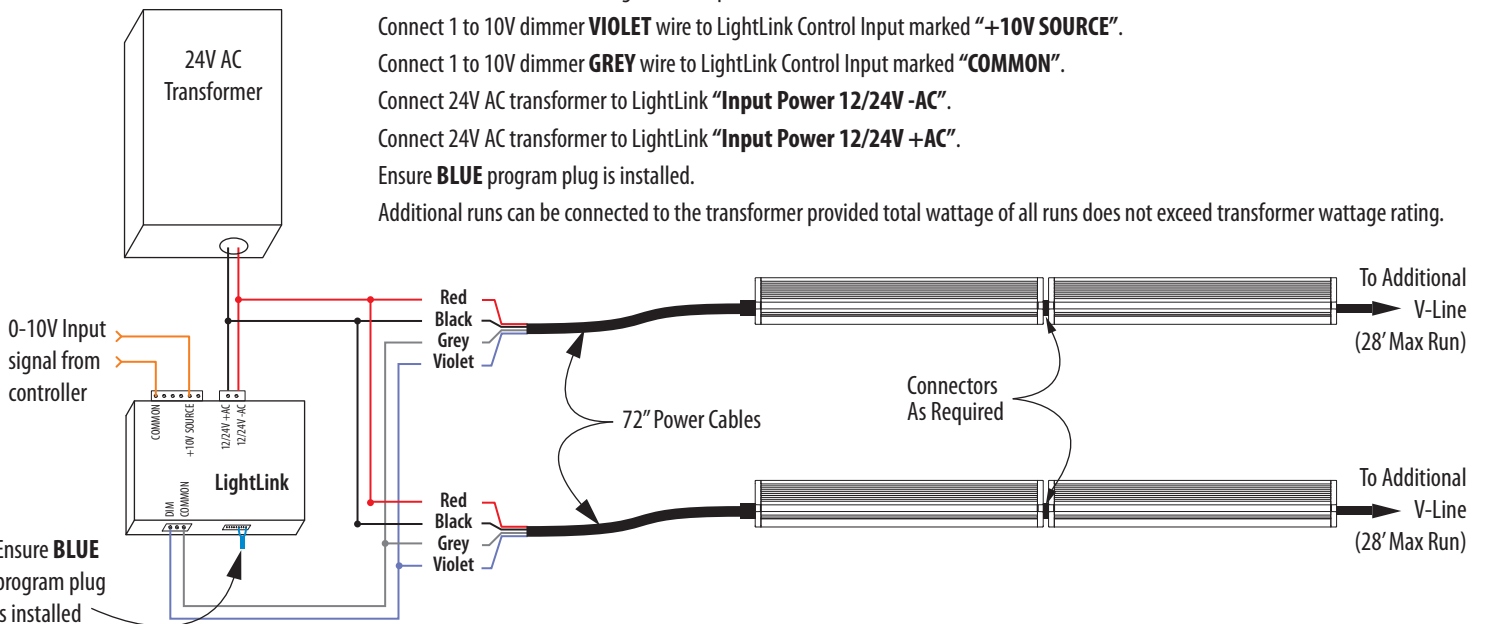
Connect 1 to 10V dimmer **GREY** wire to LightLink Control Input marked "**COMMON**".

Connect 24V AC transformer to LightLink "**Input Power 12/24V -AC**".

Connect 24V AC transformer to LightLink "**Input Power 12/24V +AC**".

Ensure **BLUE** program plug is installed.

Additional runs can be connected to the transformer provided total wattage of all runs does not exceed transformer wattage rating.



07/27/09