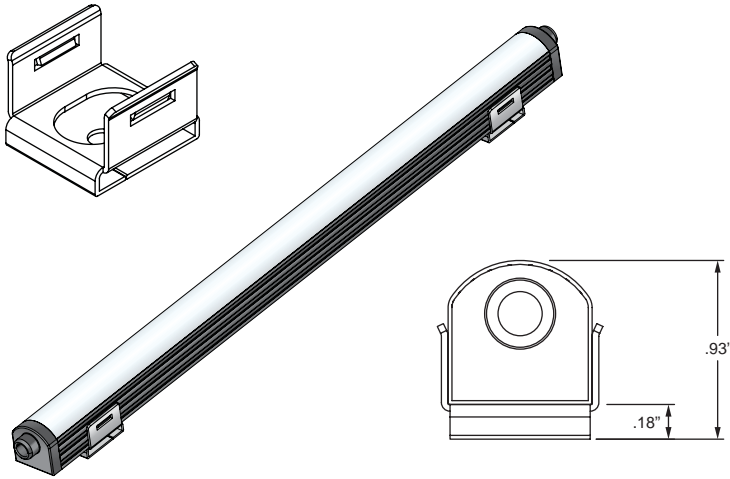




## FIXED MOUNT



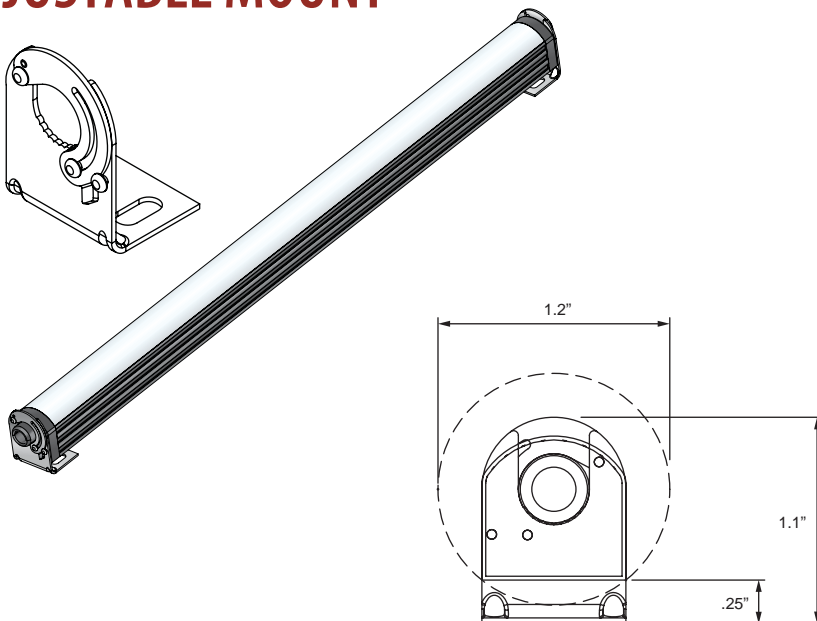
**Low-Profile mount for fixed position installations made from 304 stainless steel.**

**Installation Instructions:**

1. Use (2) mounts per Gen5. Mount can be positioned anywhere along length of Gen5.
2. Locate position of mounts along centerline of fixture location.
3. Fasten mounts to mounting surface with #6 screws appropriate for mounting surface.
4. Center Gen5 between mounting ears and snap firmly in place.
5. Refer to wiring page for electrical hook up for dimming and non-dimming installations.



## ADJUSTABLE MOUNT



**Adjustable mount offering 360 degrees of continuous adjustment. Made from 304 stainless steel.**

**Installation Instructions:**

1. Use (2) mounts per Gen5. Mount must be positioned at each end of Gen5.
2. Locate position of mounts along centerline of fixture location.
3. Fasten mounts to mounting surface with #6 screws appropriate for mounting surface.
4. Center Gen5 between mounting ears and snap firmly in place.
5. Refer to wiring page for electrical hook up for dimming and non-dimming installations.
6. Once wired, apply power and adjust fixtures to proper aiming angle. Use hex key to tighten locking screw.



REVISED: 6/9/2008

